



## USER GUIDE GRM430EM



### Introduction

Thank you for purchasing the Gator GRM430EM. This product is designed to provide a high-resolution display when attached to reverse camera or video input.

### Product Overview

The GRM430EM is an OE Grade Mirror Monitor that is reverse mirror compatible. It is just like a normal rear view mirror with a built in 4.3" screen allowing you to see what is behind the vehicle when reverse gear is engaged (*additional rear view camera needed*). The GRM430EM has dual video inputs, allowing for connection to a car DVD player or a front view camera (not included)

### Product Features:

- OEM Look and OEM quality mirror.
- 4.3" High-Definition LCD Monitor with Auto adjusting brightness control
- OEM wire harness cover for factory look
- Two (2) Video inputs
- Anti-Glare mirror
- Easy Installation

## Technical Specifications:

Panel	TFT LCD (Digital)	Power Supply	DC12V
Screen Size	4.3"	Brightness	1000cd/m2
Resolution	480x272	OSD Menu	Available
Aspect Ratio	16:9	Signal System	PAL/AUTO/NTSC
Power Consumption	3.6W (Working) 0.3W (Standby)	Two Video Inputs	AV1-Additional Input AV2-Camera

- Do not use the Mirror in a damp working environment, as it is not waterproof.
- Do not open or try to repair the Mirror by yourself. If the unit or any accessories for the Mirror have any problems, please take it to an authorized repair agent for repair.
- Do not use chemicals, solvents or cleaners to clean the Mirror, please use a moist soft cloth.
- Please care for the environment, do not discard this machine randomly; do not throw the Mirror into a fire, as it may explode.

## Package Components:



Mirror



Power cable with fuse



Glass mounting  
Metal button

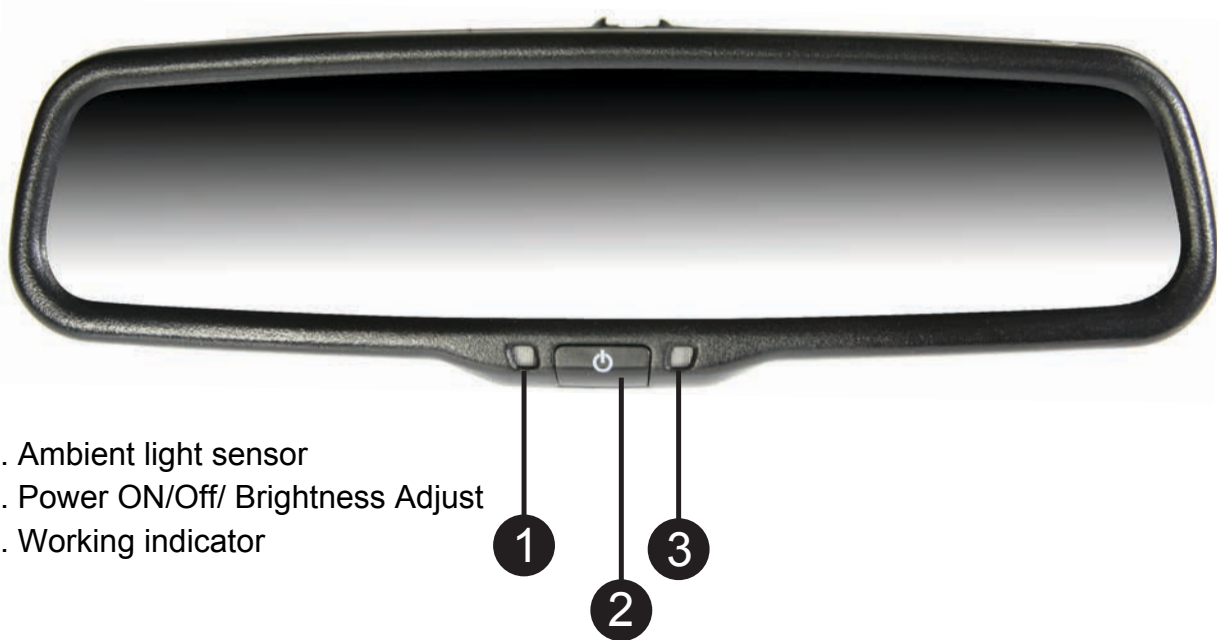


Allen key



Wiring cover

## Product Structure:



## System Operation

This system has signal sensing. When the Video 1 or 2 inputs see a signal, the display will automatically turn on. When the signal is removed, it will automatically turn off. If both inputs see a signal, Input 2 will override Input 1.

## Auto-Adjusting Brightness Feature

The brightness of the 4.3" LCD screen will adjust automatically to its environment's lighting conditions. In brighter conditions, the display will brighten to increase the image's view ability. In darker conditions, it will decrease its brightness so as not to over-stimulate the driver's eyesight.

## Operation:

1. While using the Video 1 Input, you can press the Power button to turn the monitor ON/OFF
2. While using the Video 2 Input (Backup Camera), you can press the Power button to adjust the image brightness.

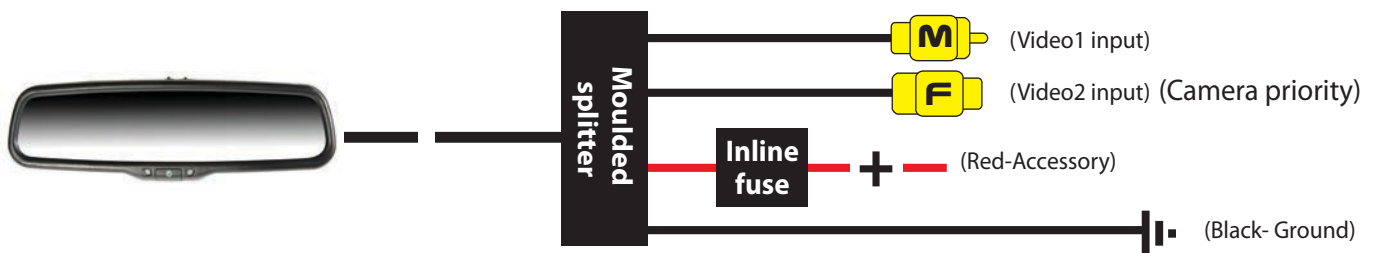
## Installation Notes

This system is has signal sensing, there is no “reverse trigger wire” in the wire harness. Be sure to use a **relay with CANBUS vehicles** (not included) to power your camera, as most vehicles’ reverse lamp wires are now variable voltage wires, and will cause a fuzzy or distorted image. (PIC 2)

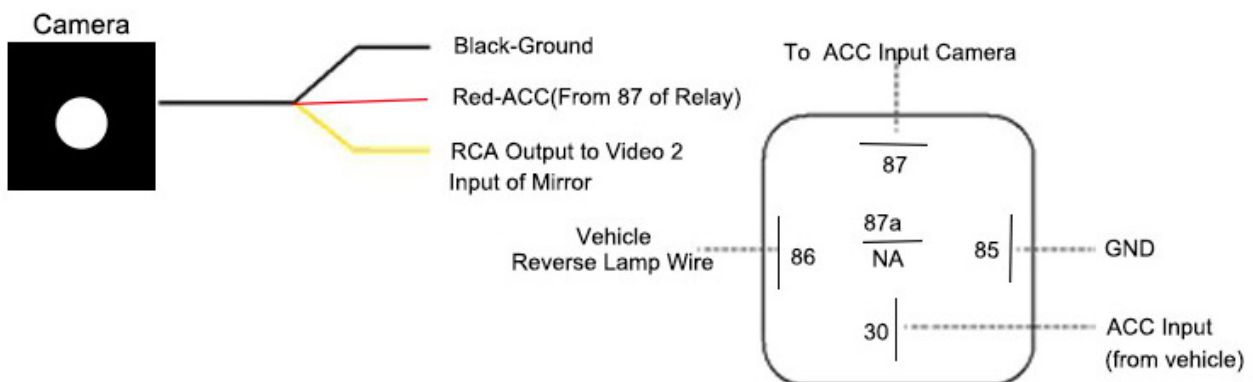
## Installation

1. Remove OEM mirror and replace with supplied LCD mirror. LCD mirror can be mounted to the vehicles existing window mounts, or by using the adapter and glass mounting metal button included. Glue the mounting metal button to the vehicles window glass using rear view mirror glue (not included). Tighten mount to metal button with Allen key provided.
2. Adapters for other vehicles can also be purchased separately. ([www.aerpro.com.au](http://www.aerpro.com.au))
3. Run your wiring harness into the headliner and down the vehicles A-Pillar, making sure to avoid any factory airbags. Secure your wiring with zip-ties.
4. Make all necessary wiring connections (See wiring diagram PIC 1)

PIC 1



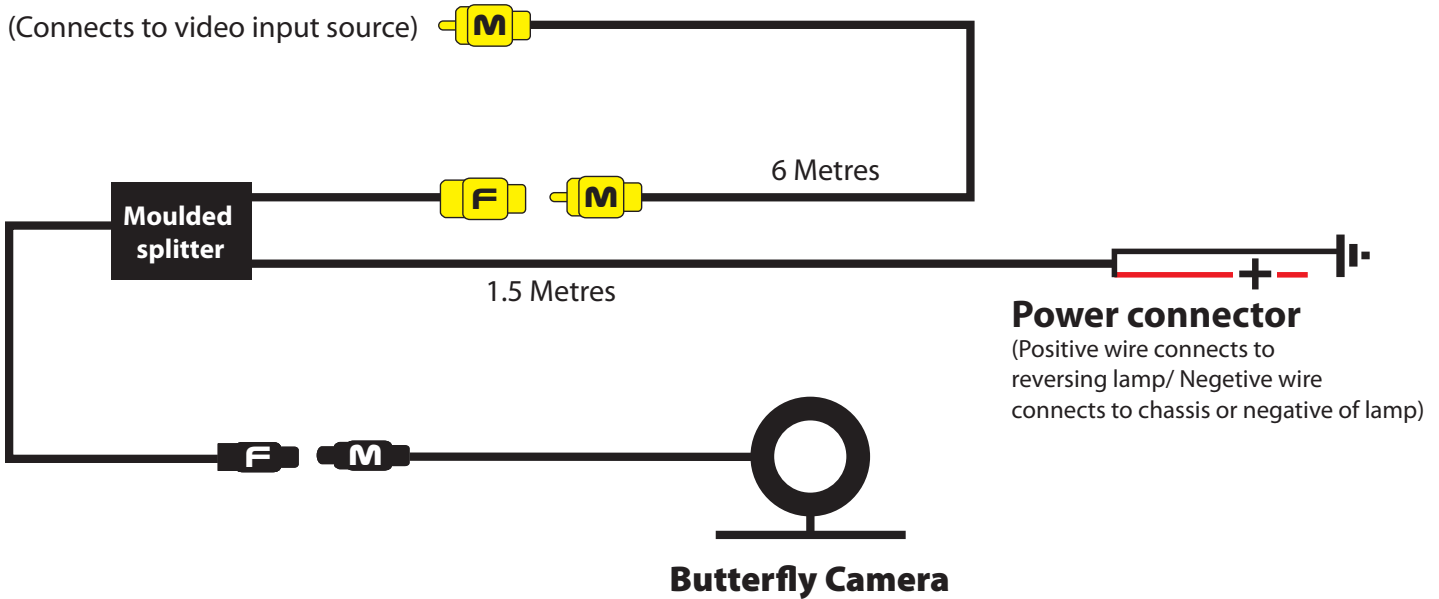
PIC 2



**Black (Ground)** – Locate a suitable location to ground (negative) the Black wire in the wiring harness. You may connect this wire to a factory ground point in the vehicle, or attach a ring terminal to the black wire and screw into the body of the vehicle. If you choose to screw into the body, clean the area of any paint or adhesives to allow for good metal-to-metal contact.

## Adding a reverse camera

### Installing optional reversing camera (not included)(Gator G30C model)



### Technical Assistance

If you need assistance setting up or using your Gator product now or in the future, call Gator Support.

Australia

TEL: 03 – 8587 8898

FAX: 03 – 8587 8866

Mon-Fri 9am – 5pm AEST

Please retain this user guide for future reference.



If you would like to download a digital copy of this manual, or other Gator manuals/software, please visit the [TDJ.com.au](http://TDJ.com.au) website and click 'Help/Downloads' for information on where to find the manuals/software.

